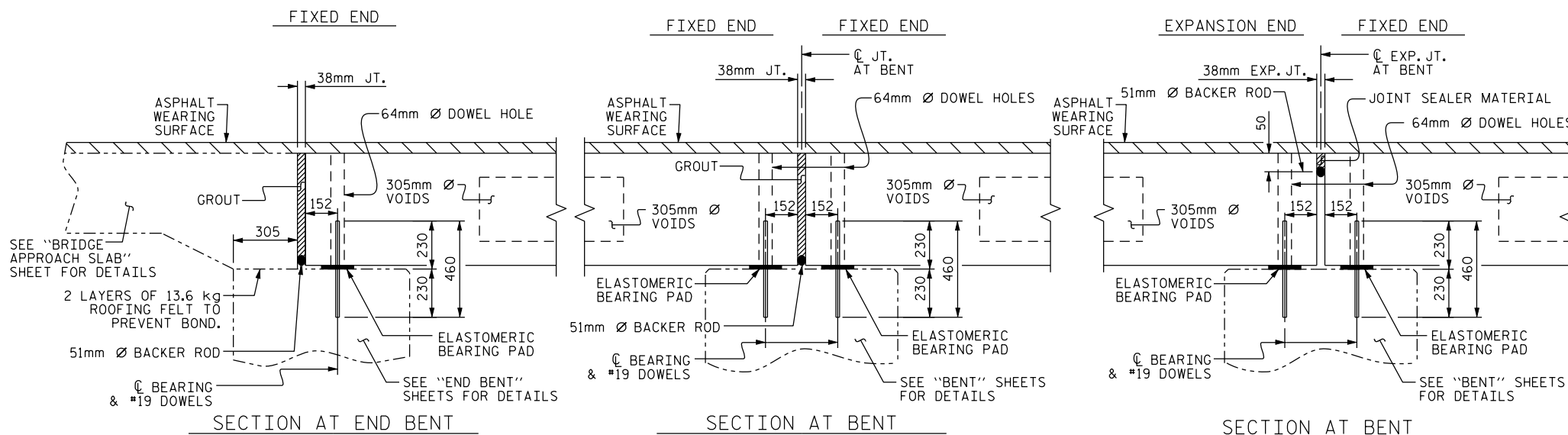


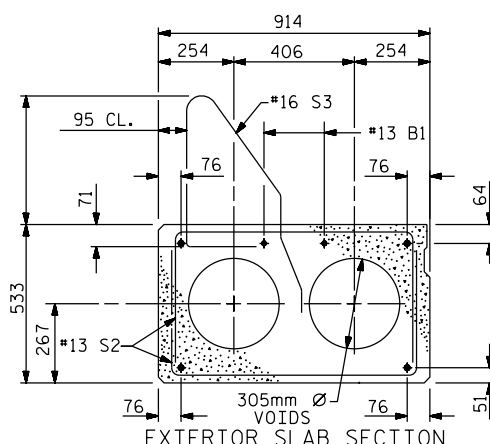
PART PLAN-EXTERIOR SECTION

NOTE: EXTERIOR SECTION SHOWN-INTERIOR SECTION SIMILAR EXCEPT OMIT S3 BARS.

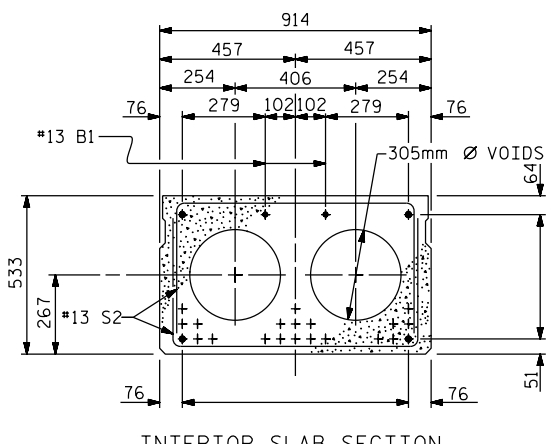
TYPICAL SECTION



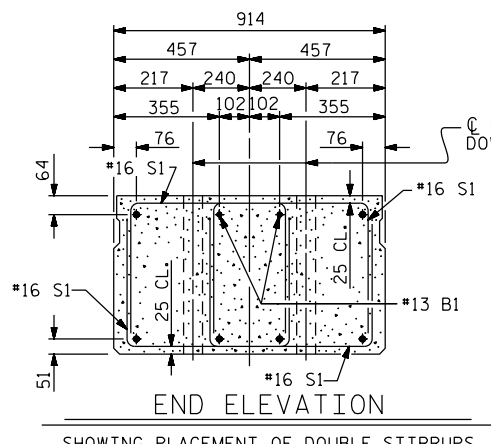
GROUTED RECESS AT END OF POST-TENSIONED STRAND-CORED SLABS



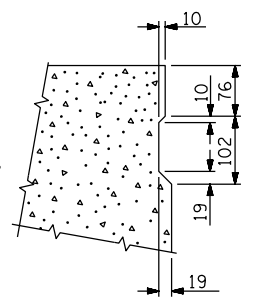
EXTERIOR SLAB SECTION
(FOR PRESTRESSED STRAND LAYOUT, SEE INTERIOR SLAB SECTION)



INTERIOR SLAB SECTION
15.24mm Ø LOW RELAXATION STRAND LAYOUT



END ELEVATION
SHOWING PLACEMENT OF DOUBLE STIRRUPS AND LOCATION OF DOWEL HOLES (STRAND LAYOUT NOT SHOWN)
INTERIOR SLAB SECTION SHOWN-EXTERIOR SLAB SECTION SIMILAR EXCEPT SHEAR KEY LOCATION.



SHEAR KEY DETAIL

NOTE: OMIT SHEAR KEY ON OUTSIDE FACE OF EXTERIOR CORED SLABS.

PROJECT NO. _____
_____ COUNTY
STATION: _____
SHEET OF _____

STATE OF NORTH CAROLINA
DEPARTMENT OF TRANSPORTATION
RALEIGH
STANDARD
914mm X 533 mm
PRESTRESSED CONCRETE
CORED SLAB UNIT

ASSEMBLED BY :	DATE :
CHECKED BY :	DATE :
DRAWN BY : WJH 4/89	REV. 10/17/00 RWN/LES
CHECKED BY : FCJ 5/89	REV. 7/10/01R RWN/LES
	REV. 5/1/06R TLA/GM

REVISIONS						SHEET NO.
NO.	BY:	DATE:	NO.	BY:	DATE:	TOTAL SHEETS
1			3			
2			4			